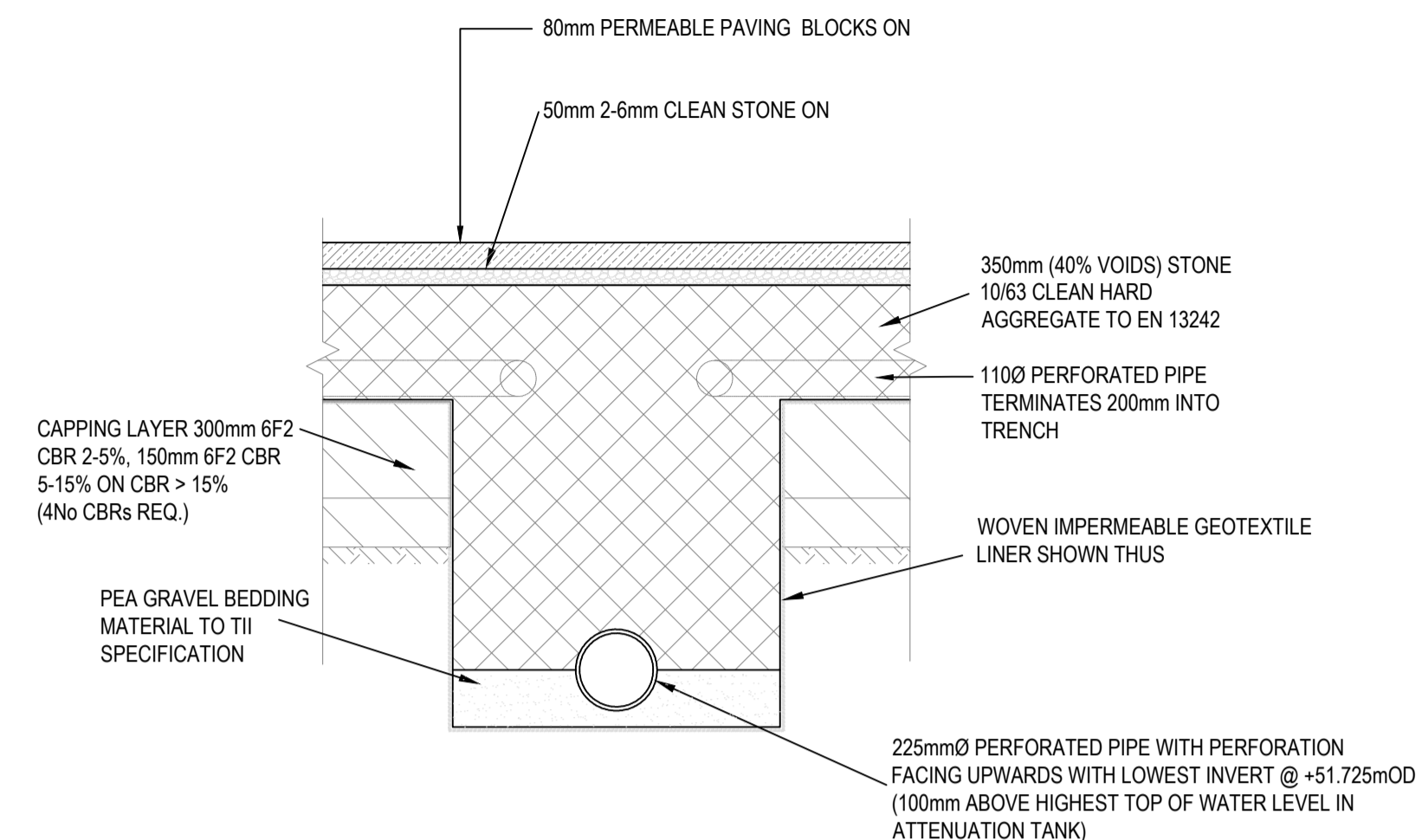


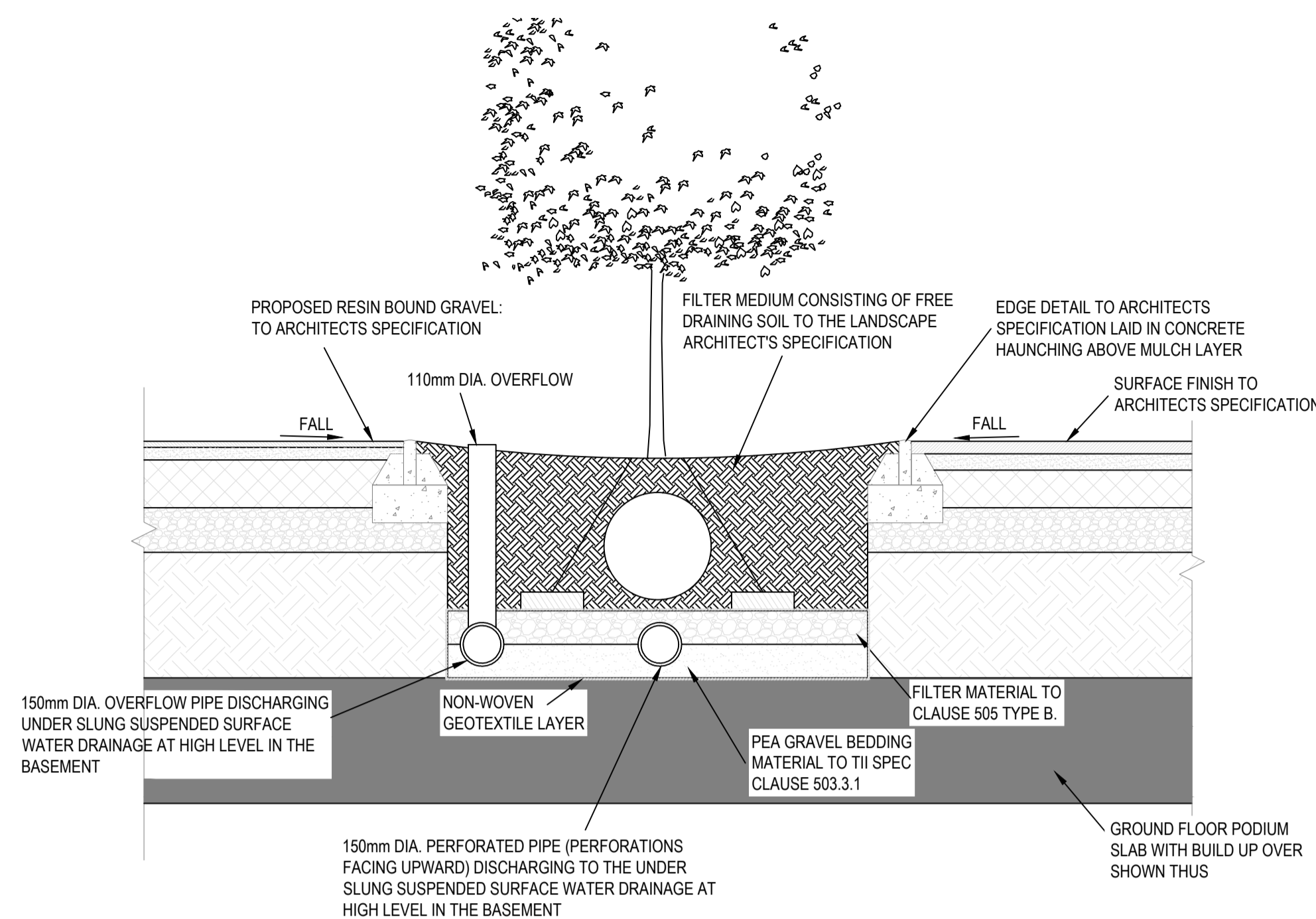
NOTES:

- FOR STANDARD DOBA NOTES REFER TO DRAWING 2071-DOB-XX-SI-DR-S-0001 & S-0002
- REFER TO ARCHITECT'S DRAWINGS FOR ALL SITE & APPLICATION BOUNDARIES
- THIS DRAWING IS TO BE READ IN CONJUNCTION WITH ALL OTHER RELEVANT ARCHITECT'S & ENGINEER'S DRAWINGS AND SPECIFICATIONS.
- USE FIGURED DIMENSIONS ONLY. DO NOT SCALE
- REFER TO SURVEY DRAWINGS FOR EXISTING SERVICES LAYOUTS AND MANHOLE INFORMATION
- ALL EXISTING SURFACES TO BE REINSTATED FOLLOWING DIVERSION OF SERVICES/CONSTRUCTION OF NEW SERVICES
- THE CONTRACTOR SHALL VERIFY ALL DIMENSIONS AND LEVELS WITH ARCHITECTURAL DRAWINGS PRIOR TO START OF CONSTRUCTION. ANY DISCREPANCIES TO BE NOTIFIED TO THE ENGINEER & ARCHITECT FOR RESOLUTION
- CONTRACTOR TO ENSURE ALL WATER & WASTEWATER RELATED WORKS ARE IN ACCORDANCE WITH THE IRISH WATER WATER INFRASTRUCTURE & WASTEWATER INFRASTRUCTURE CODE OF PRACTICE & STANDARD DETAILS DOCUMENTS
- TESTING OF ALL GRAVITY SEWERS AND MANHOLES TO BE IN ACCORDANCE WITH IRISH WATER CODE OF PRACTICE FOR WASTEWATER INFRASTRUCTURE SECTION 4.10 TESTING OF GRAVITY SEWERS & MANHOLES



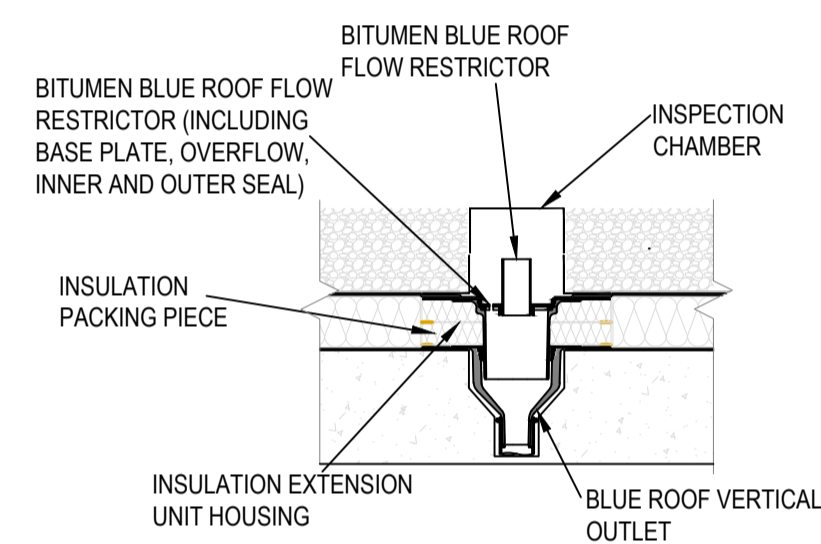
TYPICAL DETAIL OF PERMEABLE PAVING & LINEAR FILTER DRAIN

SCALE: 1:20



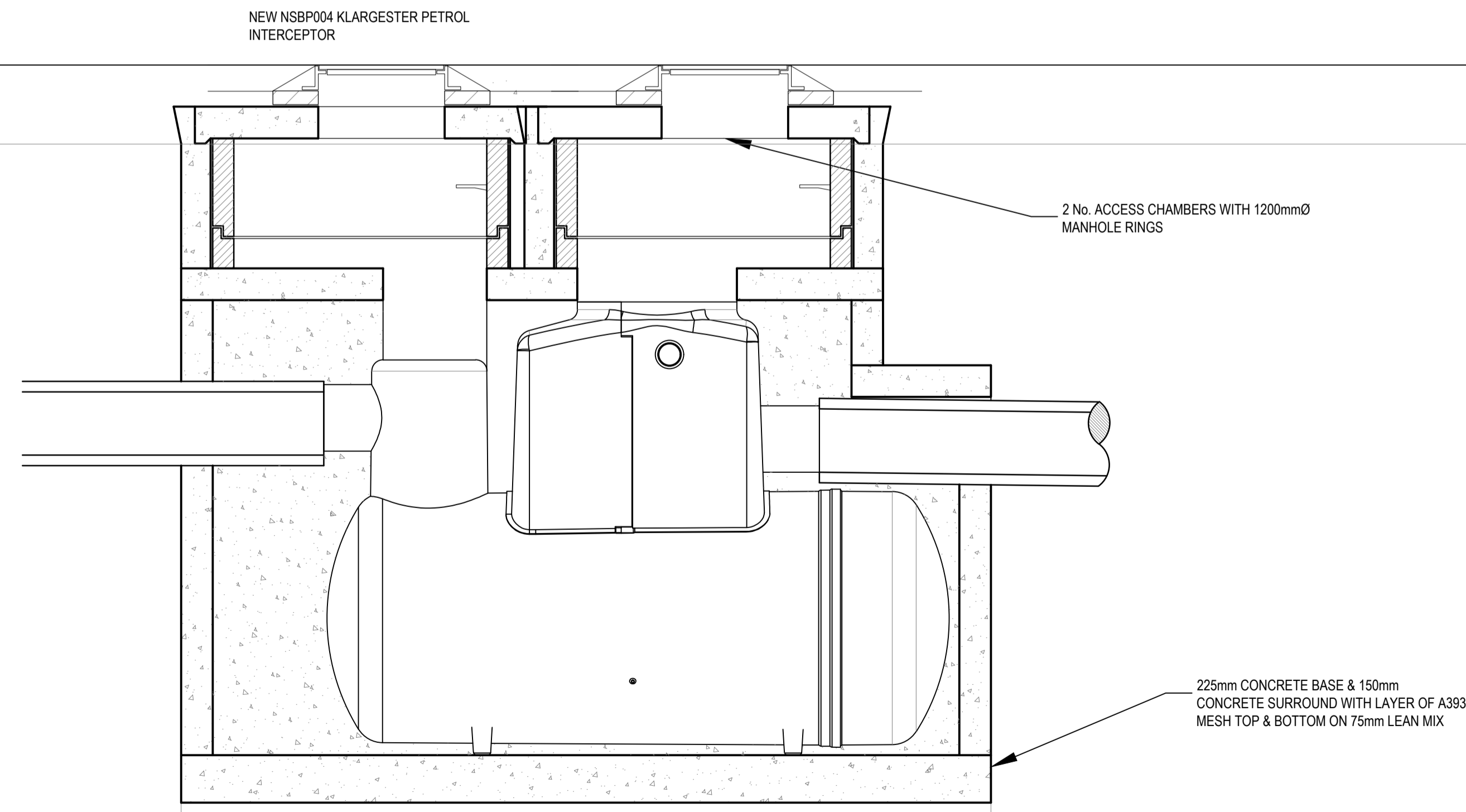
TYPICAL DETAIL OF BIORETENTION TREE PIT

SCALE: 1:20



TYPICAL DETAIL OF BLUE ROOF BUILD-UP

SCALE: 1:20



TYPICAL DETAIL OF PETROL INTERCEPTOR

SCALE: 1:20

PETROL INTERCEPTOR DIMENSIONS

UNIT REF No.	NOMINAL FLOW	LENGTH	STD. PIPE Ø	APPROX. EMPTY WEIGHT (KG)	FALL ACROSS UNIT
NSBP004	4.5 L/S	1700	160	145	100

ISSUED FOR PLANNING

S2.P03	ISSUED FOR PLANNING	31.03.2023	KD	PD
S2.P03	ISSUED FOR INFORMATION	19.07.2022	KD	PD
S2.P02	ISSUED FOR INFORMATION	08.06.2021	KD	PD
S2.P01	ISSUED FOR INFORMATION	21.04.2021	KD	PD
Rev.	Note	Date	Drawn	Check

DONNACHADH O'BRIEN & ASSOCIATES CONSULTING ENGINEERS

UNIT 5C
ELM HOUSE
MILLENNIUM PARK
NAAS
CO. KILDARE

PHONE
+353 45 984 042

INFO@DOBRIEN-ENGINEERS.IE
WWW.DOBRIEN-ENGINEERS.IE

Client: LADAS PROPERTY COMPANY

Project: PROPOSED DEVELOPMENT AT MILLSTREET, MAYNOOTH

Drawing Title: PROPOSED SUDS DETAILS

Drawn By: KD	Checked By: PD	Approved By: DOB	Date: MARCH '23	Scale: 1:20	Sheet Size: A1
Project Number: DOBA2071	Drawing Number: 2071-DOB-XX-SI-DR-C-0260	Status Code: S2	Rev Number: P03		