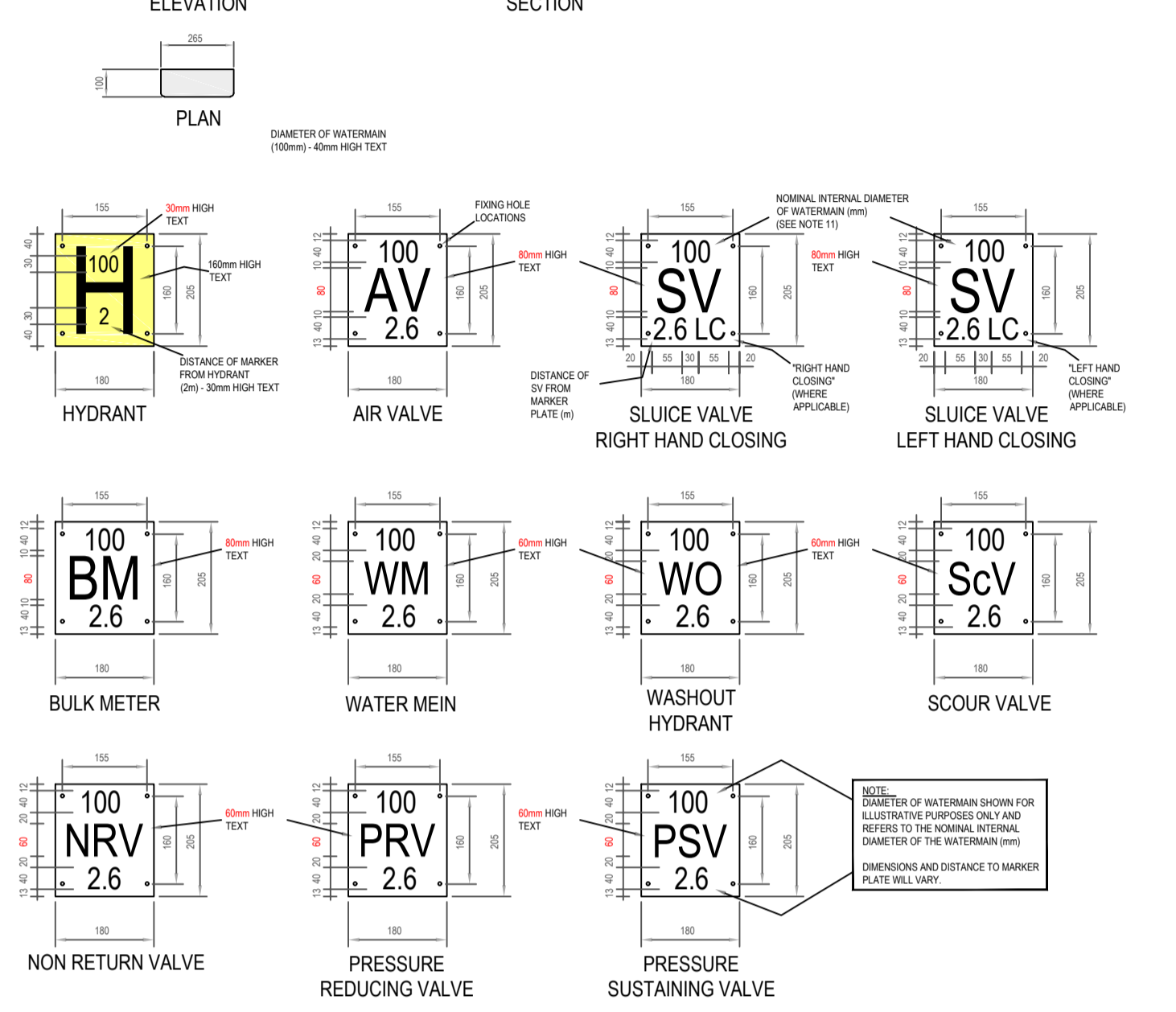
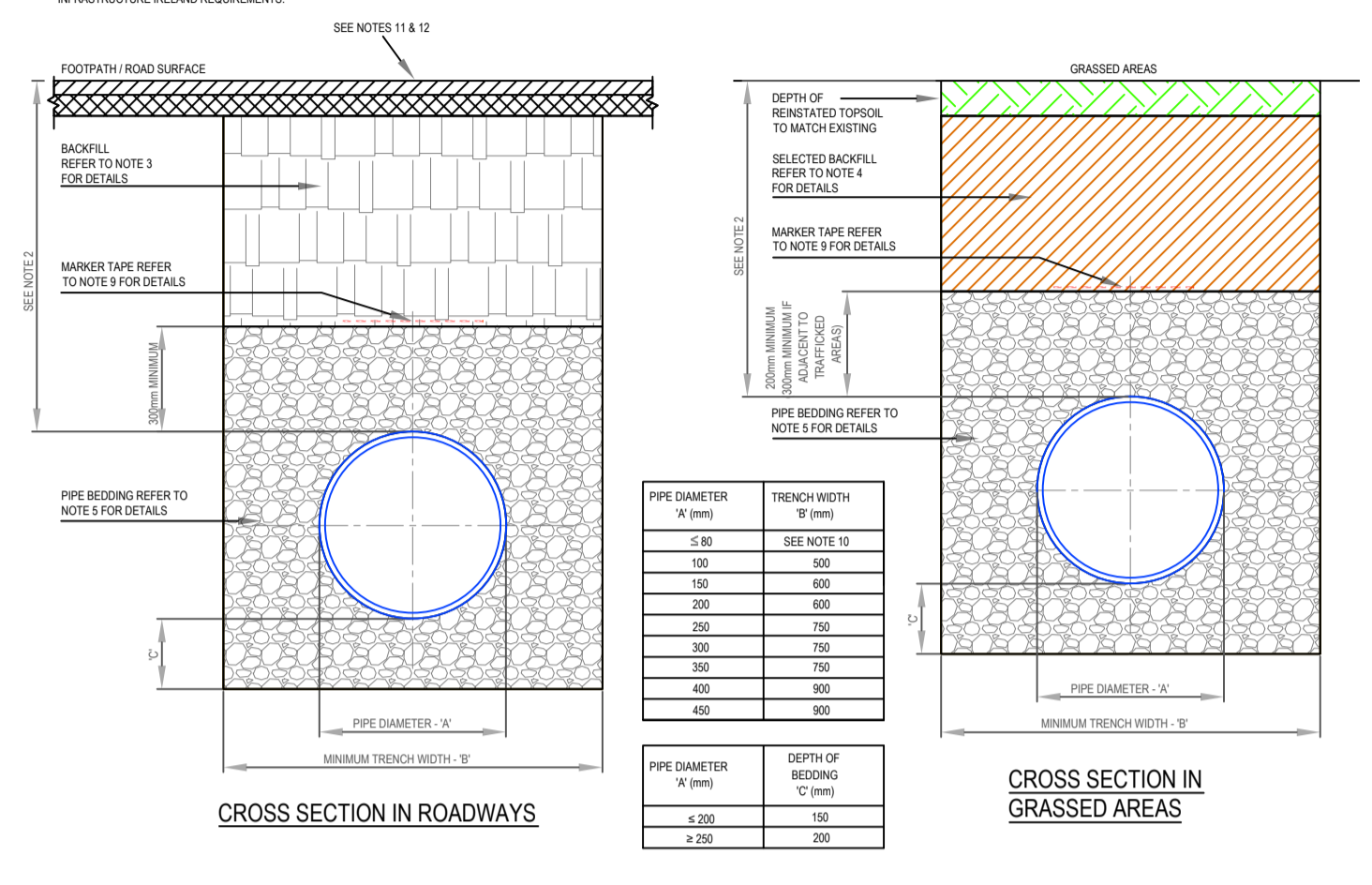


REINFORCEMENT DETAILS

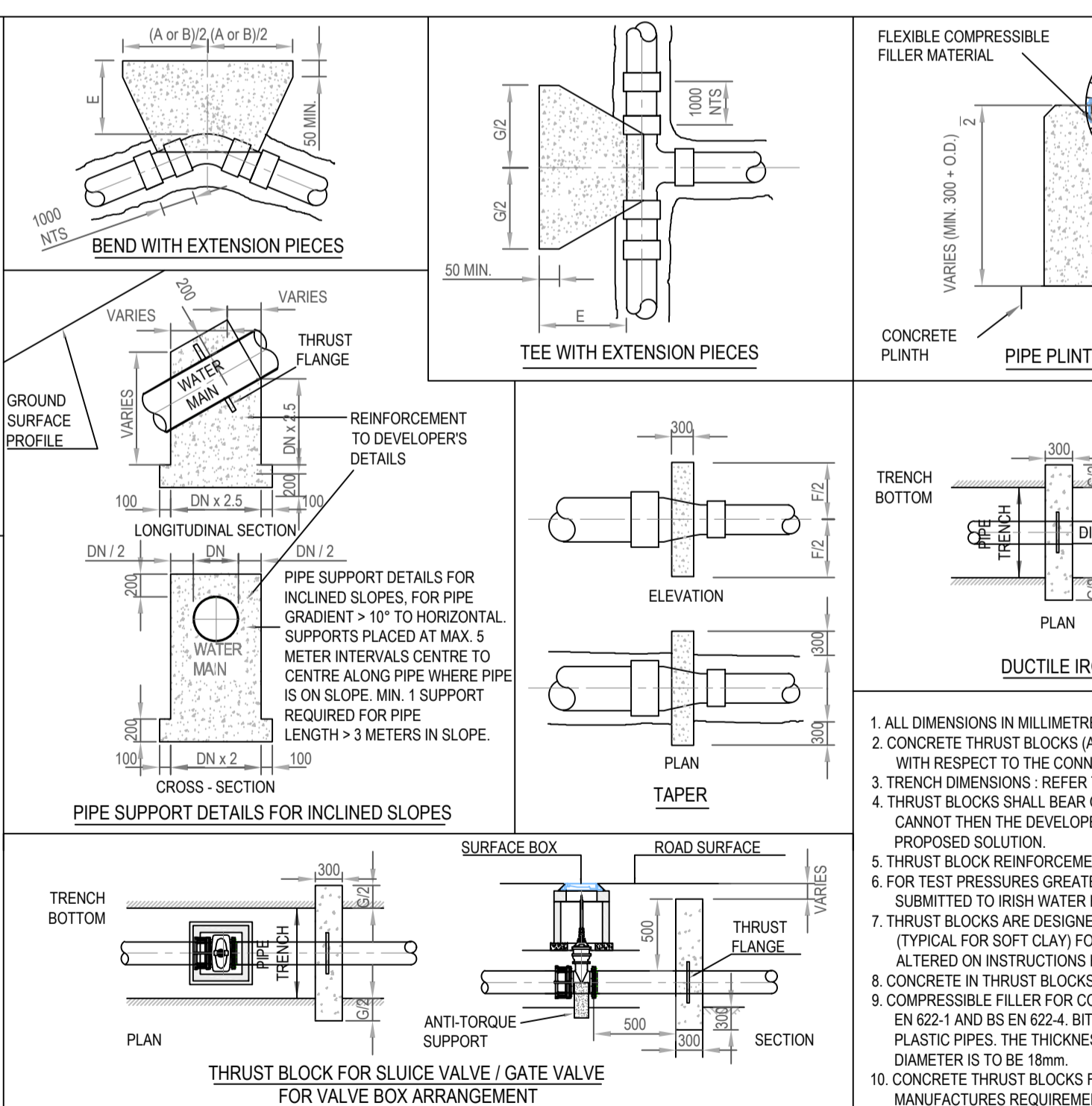
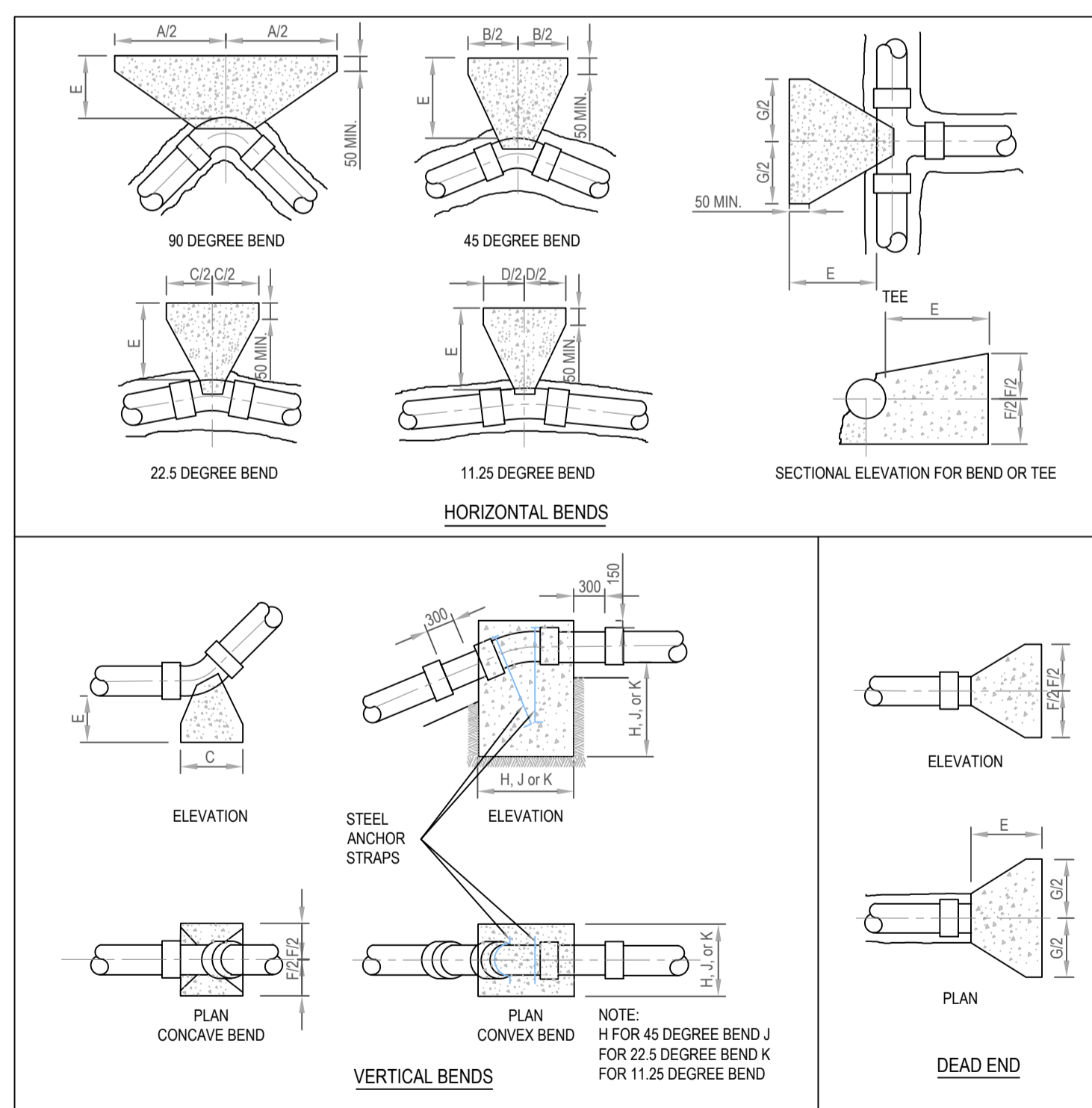
- WHERE PRACTICAL MARKER PLATES SHALL BE FIXED TO ADJACENT WALLS OR ALTERNATIVELY ATTACHED TO MARKER POSTS.
- PLATES TO BE FIXED IN POSITION USING WALL PLUGS AND STAINLESS STEEL SCREWS.
- MARKER PLATES TO BE MANUFACTURED IN ACCORDANCE WITH BS 2051.
- FOR HYDRANT PLATE ALL CHARACTERS SHOULD BE BLACK AND THE REMAINDER OF THE FRONT FACE SHOULD CONFORM TO CLASS R REFINISH, RAL 9009.
- PIPE DIAMETER ON HYDRANT PLATE TO REFER TO WATERMAIN NOT BRANCH.
- SUCTION VALVE, AIR VALVE, SCOUR VALVE AND WASHOUT HYDRANT ETC. SHOULD ALSO ALLOW ALL CHARACTERS SHOULD BE BLACK ON WHITE PRINT BACKGROUND. ALTERNATIVE MATERIAL MAY BE USED SUBJECT TO APPROVAL BY IRISH WATER.
- CONCRETE MARKER POST TO BE GRADE C25/30 AND IN ACCORDANCE WITH IS 2063/23.
- CONCRETE BASE TO BE GRADE C20.
- PLASTIC MARKER POSTS ARE NOT ACCEPTABLE.
- PAINTING SPECIFICATION 3 PACK BODY PRIMER AT 40 MICRONS FOLLOWED BY 2 PACK HIGH GLOSS POLYURETHANE TOP COAT APPLIED AT 40 MICRONS.
- REFERENCES TO PIPE DIAMETERS ON MARKER PLATES REFER SPECIFICALLY TO THE NOMINAL INTERNAL DIAMETER OF THE PIPE REGARDLESS OF PIPE MATERIAL.



TYPICAL IRISH WATER DETAIL FOR MARKER POSTS / PLATES - NTS

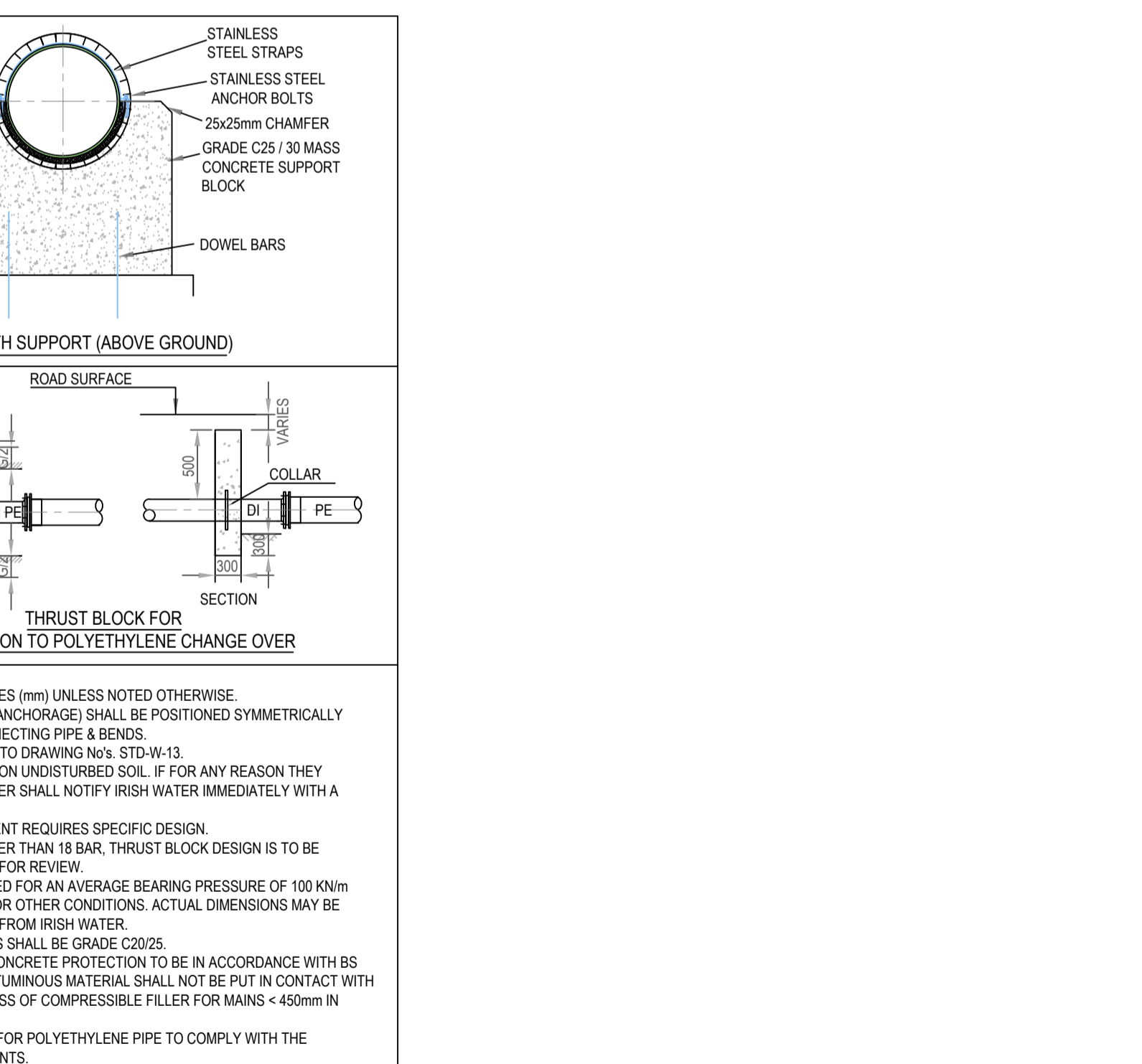


TYPICAL IRISH WATER DETAIL FOR BACKFILL AND BEDDING - NTS



NOM. DIA. (mm)	DIMENSIONS									
	A	B	C	D	E	F	G	H	J	K
100	600	330	160	80	200	350	390	700	600	400
150	950	510	260	130	225	450	660	900	750	600
200	1150	600	310	160	300	650	790	1050	900	700
250	1350	750	380	200	300	800	970	1200	1000	750
300	1580	850	450	220	320	950	1110	1300	1100	850
350	2100	1150	570	290	450	1000	1450	1550	1200	900
400	2550	1400	700	350	500	1050	1800	1700	1250	1000
450	3000	1630	830	420	680	1100	2130	1800	1450	1150
500	3590	1950	990	500	800	1200	2540	1950	1600	1250
600	4100	2200	1120	570	850	1400	2880	2100	1700	1300

NOM. DIA. (mm)	DIMENSIONS									
	A	B	C	D	E	F	G	H	J	K
100	700	380	190	100	200	350	510	750	600	400
150	1135	620	320	160	225	450	760	960	750	600
200	1400	750	380	190	300	650	980	1150	950	700
250	1730	940	480	240	320	800	1210	1350	1050	850
300	2090	1130	580	300	380	950	1480	1500	1200	950
350	2600	1410	720	360	500	1050	1840	1700	1350	1050
400	2980	1610	820	420	750	1200	2110	1850	1500	1150
450	3400	1840	940	470	900	1300	2330	2000	1600	1250
500	4090	2210	1130	570	1000	1400	2890	2200	1750	1350
600	5010*	2710*	1380	700	1000	1500	3550*	2350	1900	1500



GRADIENT	SPACING	
	1 IN 2 & STEEPER	BELOW 1 IN 2 TO 1 IN 4
1 IN 2 & STEEPER	5.5m	11.0m
1 IN 4 TO 1 IN 5	16.6m	
1 IN 5 TO 1 IN 6	22.0m	

TYPICAL IRISH WATER DETAIL FOR WATER MAIN THRUST AND SUPPORT BLOCKS - NTS

ISSUED FOR PLANNING

S2.P01	ISSUED FOR PLANNING	31.03.2023	KD	PD
S2.P01	ISSUED FOR INFORMATION	08.06.2021	KD	PD
Rev.	Note	Date	Drawn	Check

DONNACHADH O'BRIEN
& ASSOCIATES CONSULTING ENGINEERS

UNIT 5C
ELM HOUSE
MILLENNIUM PARK
NAAS
CO. KILDARE

PHONE
+353 45 984 042

INFO@DOBRIEN-ENGINEERS.IE
WWW.DOBRIEN-ENGINEERS.IE

Client: LADAS PROPERTY COMPANY

Project: PROPOSED DEVELOPMENT AT MILLSTREET, MAYNOOTH

Drawing Title: TYPICAL WATERMAIN DETAILS SHEET 3 OF 3

Drawn By: KD	Checked By: PD	Approved By: DOB	Date: MARCH '23	Scale: AS SHOWN	Sheet Size: A1
Project Number: DOBA2071	Drawing Number: 2071-DOB-XX-SI-DR-C-1320	Status Code: S2	Rev Number: P01		